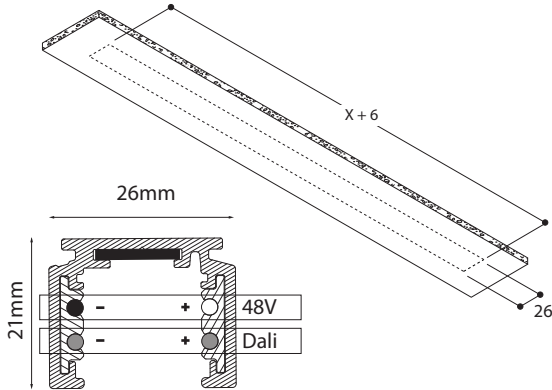


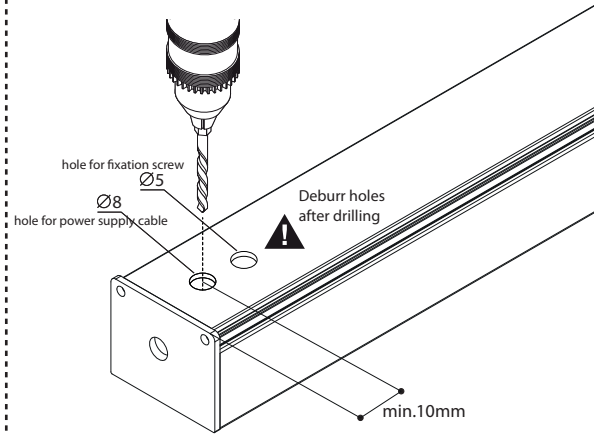


1 DETERMIN POSITION OF PROFILE
26 x (X + 6)



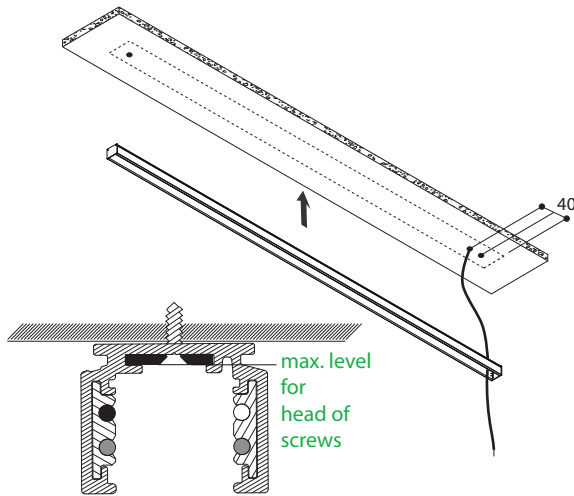
26 = width
X = length of profile measured without endcaps

2 PROFILE PREPARATION
HOLES FOR MOUNTING & CABLE
(use only flexible cable 2 or 4 x 1.55mm² VTMB)



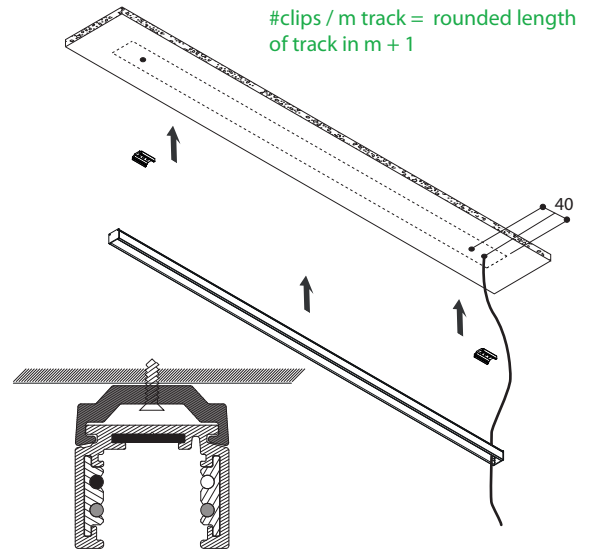
3 HOLE PREPARATIONS FOR MOUNTING PROFILE &
INTEGRATION OF THE CABLE
DIRECT FIXATION WITH SCREWS

#screws / m track = rounded length
of track in m + 1

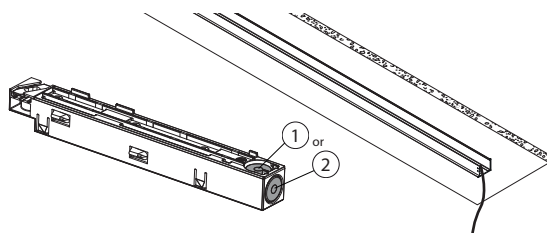


4 HOLE PREPARATION FOR MOUNTING CEILING FIXATION CLIP
FIX WITH SCREWS

#clips / m track = rounded length
of track in m + 1



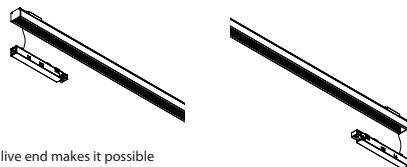
5 INSTALLING LIVE END
ELECTRIC DETAIL



solid CU wire or solder dipped
stranded or bonded stranded
conductors

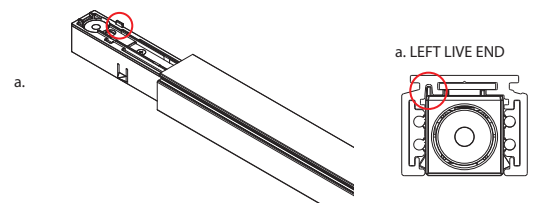


wire stripping

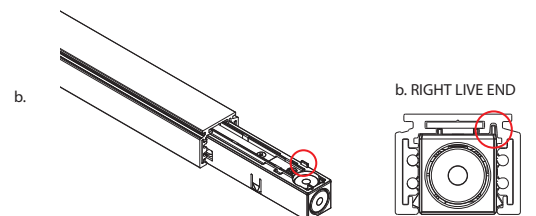


A left and right live end makes it possible
to choose on which side of the track a live
end can be installed.
Live ends can also be installed in the
middle of the track.

6 LIVE END LEFT - LIVE END RIGHT



a. LEFT LIVE END

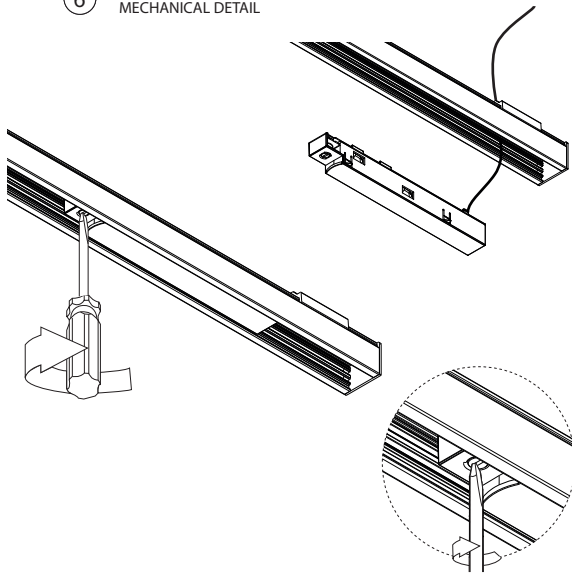


b. RIGHT LIVE END

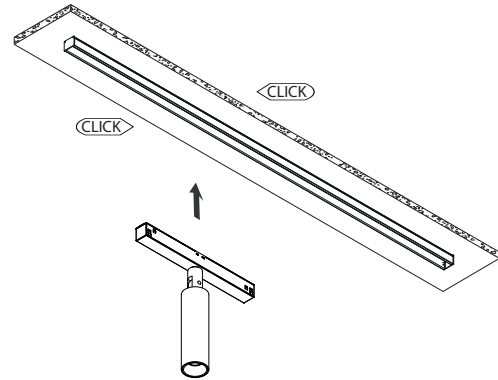
Small tooth along the back side of the live
end indicate the position in which it fits
into the track. A groove in the track makes
this the only possible fit.

TAL track 48V - surface mounted

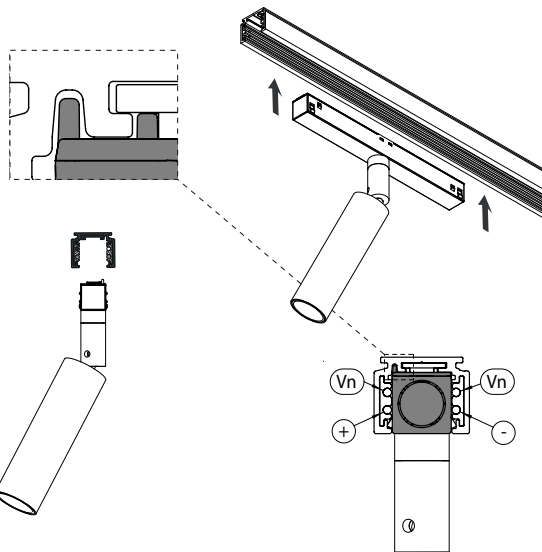
6 INSTALLING LIVE END MECHANICAL DETAIL



7 SNAP IN LUMINAIR (MAGNETIC ATTRACTION)



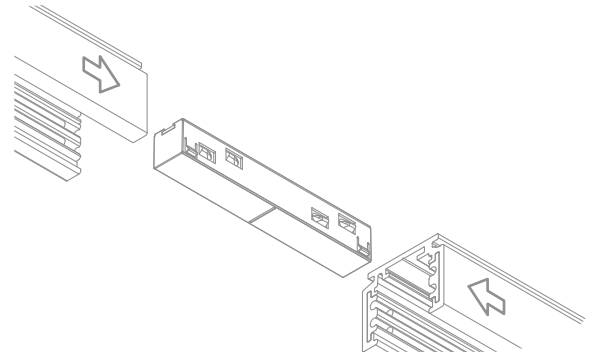
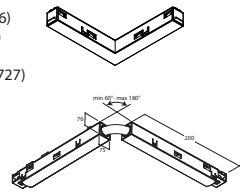
8 INSTALLING LUMINAIR MAGNETIC ATTRACTION



-NOTE A: for sm track lengths >3m, use straight electrical coupler (TR4847 / TR4826) (no mechanical coupler involved)

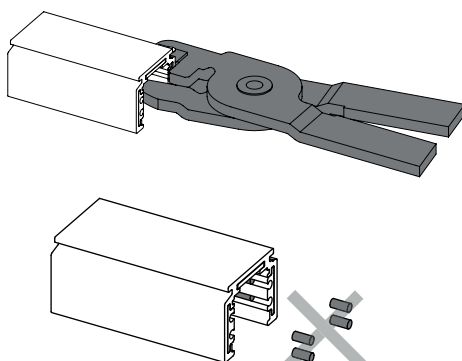
-NOTE B: for 90° corners use electrical corner coupler (TR4647 / TR4626) 90° corners of tracks to be cut on site (no mechanical coupler involved)

-NOTE C: for other angles use flexible electrical coupler (TR4748 / TR4727) with power feed possibility (no mechanical coupler involved)



NOTE C: if the track must be shortened during installation, after cutting it use the special pliers to cut back the 4 copper wires of the track. Make sure to eliminate the 4 pieces of copper wire cut.

This will prevent them from coming into contact with one another in case of dual power supply, or, if end caps are used, to prevent the copper wires from coming into contact with them.



TAL TRACK 48V DROP VOLTAGE TABLE

Power supply (W)	A Distance power supply/feed unit (2 x 1,5mm ²)			
	5m	10m	20m	30m
	B Track length with Δv≤5,5% (m)			
	(m)	(m)	(m)	(m)
60	50	50	50	50
100	50	50	40	25
150	50	40	20	N/A
200	40	30	N/A	N/A
250	35	20	N/A	N/A

Information refers to a load equivalent to the power supplied and equally distributed on the relevant length in the table.

